

## L trim install instructions

easy as PIE to replace these beauties

first thing to do is remove the inner trim ... around the window .

The 1/4 glass frame is held in with "dumb dumb" as know in the industry .. it is a thick , sticky product kind of like glue . We have found that a heat gun works best ... simply heat up the frame , and make the dumb dumb pliable ... the window will come out "L" trim and all ...



Remove the stock "L" trim



attach the new trim with the screws provided ..

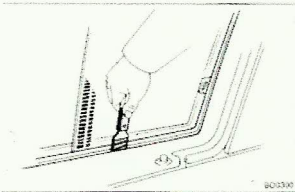
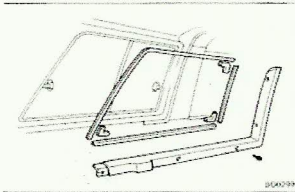
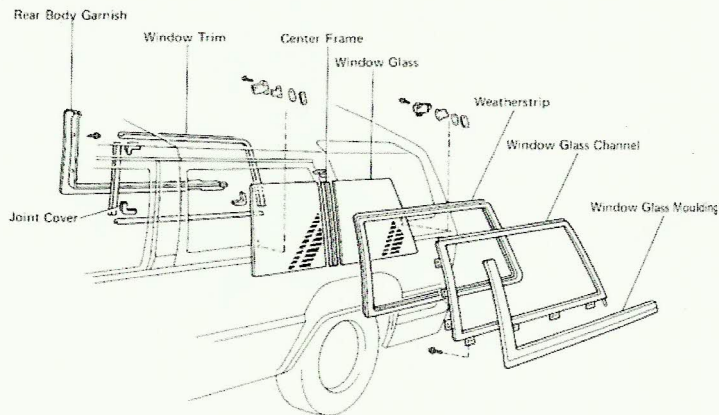


with the "L" trim attached install the window , and put the trim back on .



just like that .

# Toyota's instructions



## REMOVAL OF SIDE SLIDE WINDOW

- 1. REMOVE REAR BODY GARNISHES**
- 2. REMOVE JOINT COVERS**  
Remove the three joint covers.
- 3. REMOVE WINDOW TRIMS**  
Remove the three window trims.
- 4. REMOVE SIDE SLIDE WINDOW ASSEMBLY**  
Cut the butyl tape with a scraper or such and then push the window assembly outward.

## Contact Information

### Telephone

250-493-9473 available until 5PM PST (west coast)

### Shop Hours

8:30AM -3:00PM Mon-Fri. PST (west coast)

### Address

Precision 4X4 Center  
#109-1280 Commercial Way  
Penticton B.C. Canada  
V2A 3H5

### Electronic mail

General Information: [info@toyotafiberglass.com](mailto:info@toyotafiberglass.com)  
Customer Support: [support@toyotafiberglass.com](mailto:support@toyotafiberglass.com)  
Sales: [sales@toyotafiberglass.com](mailto:sales@toyotafiberglass.com)  
Corey [CJ@toyotafiberglass.com](mailto:CJ@toyotafiberglass.com)